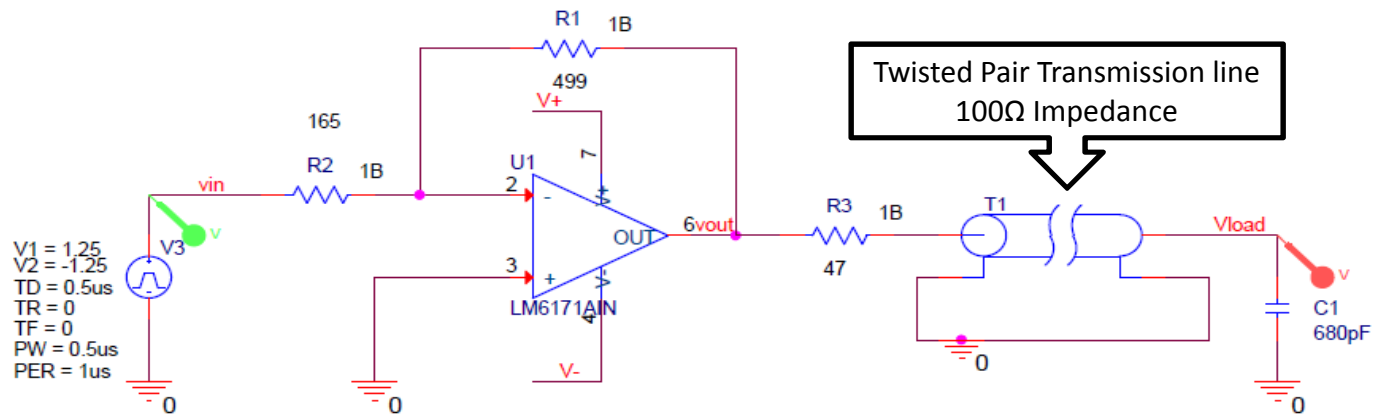
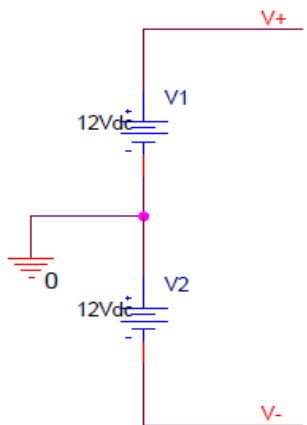
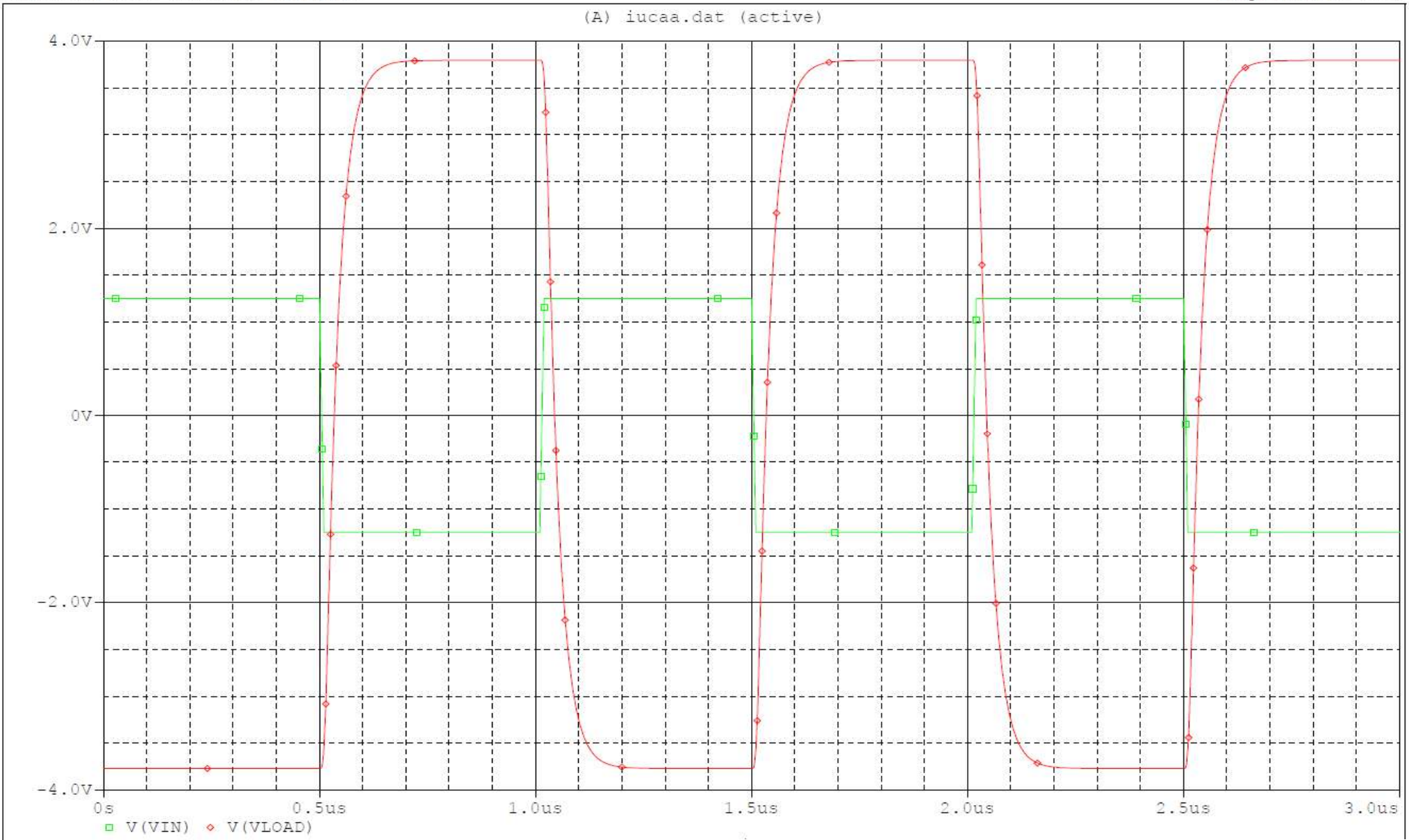


Clock Driver LM6171 PSpice Simulations

New Clock Driver Amplifier LM6171

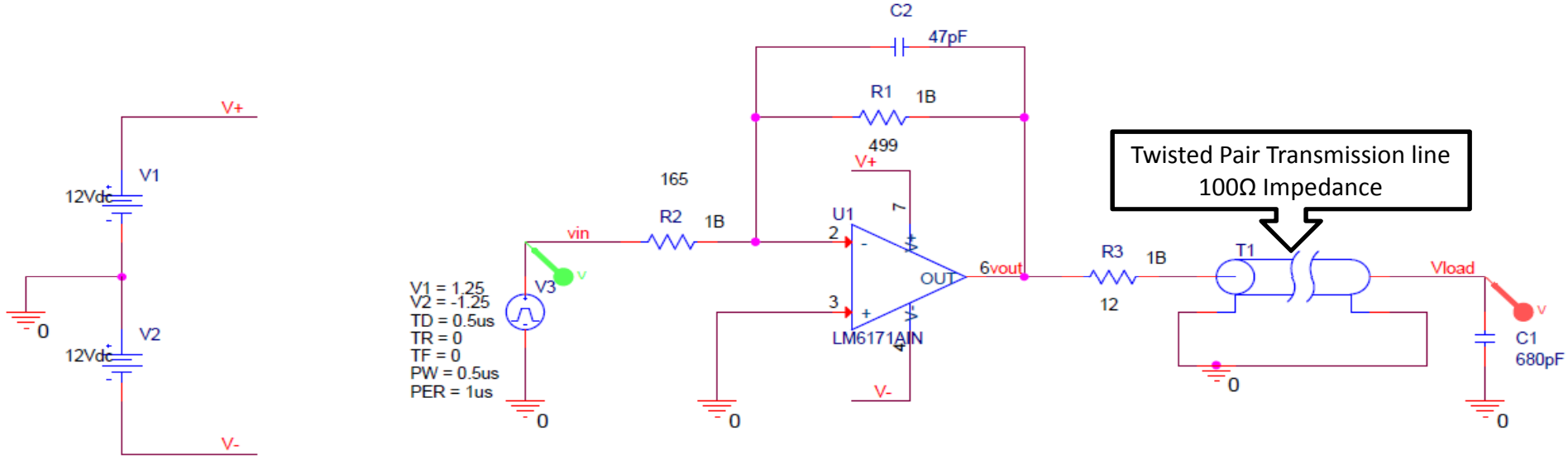




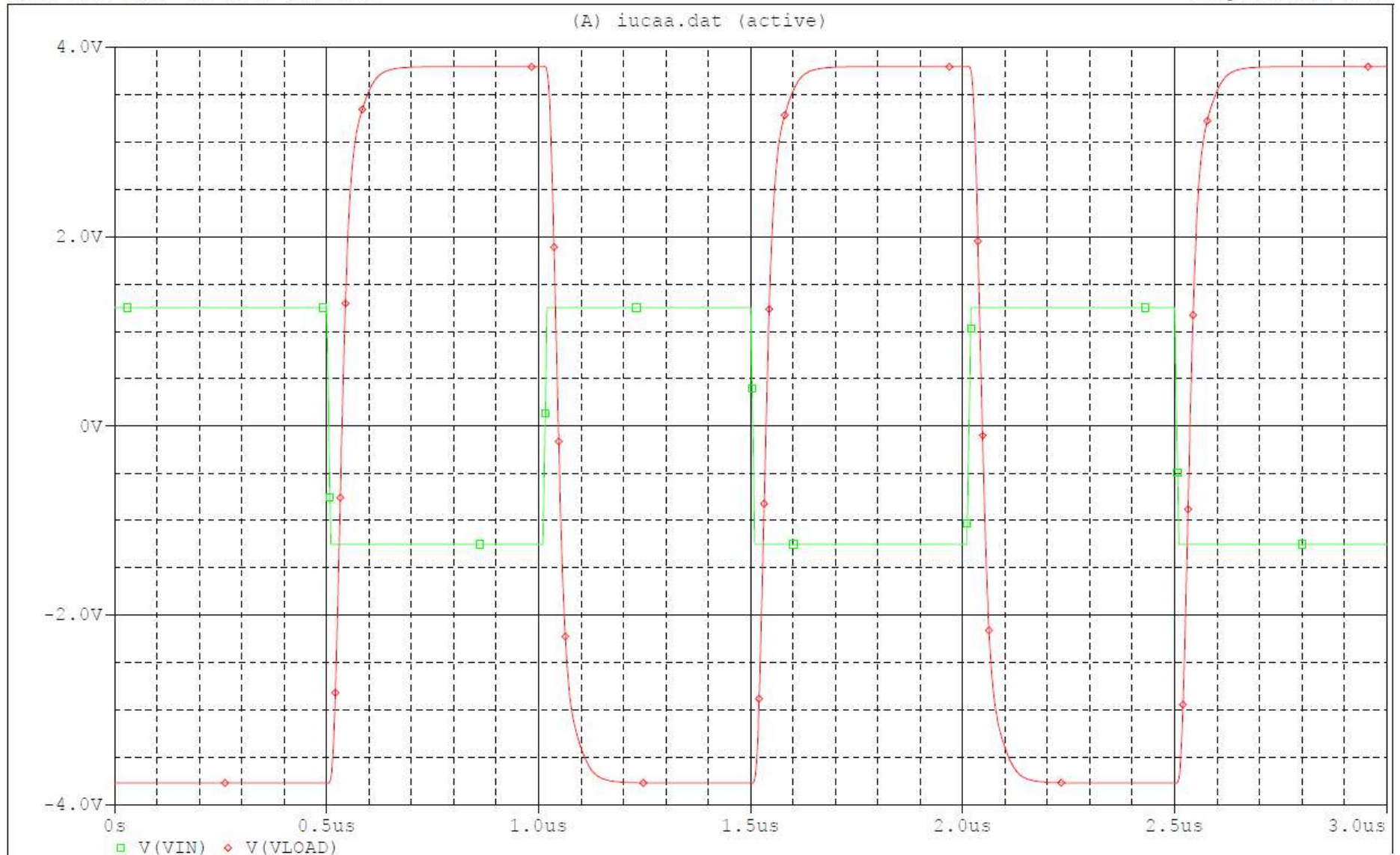
Date: October 10, 2013

Evaluate	Measurement	Value
<input checked="" type="checkbox"/>	Falltime_NoOvershoot(v(vload))	64.63175n
<input checked="" type="checkbox"/>	Risetime_NoOvershoot(v(vload))	64.62898n

New Clock Driver Amplifier LM6171 with lead compensation



** Profile: "SCHEMATIC1-iucaa" [C:\BHUSHAN_BACKUP\SIMULATIONS\clock_sim_v1-PspiceFiles\SCHEMATIC1\iucaa.sim]
 Date/Time run: 10/10/13 14:00:37 Temperature: 27.0



Date: October 10, 2013

Evaluate	Measurement	Value
☒	Falltime_NoOvershoot(v(vload))	49.19428n
☒	Risetime_NoOvershoot(v(vload))	49.18572n