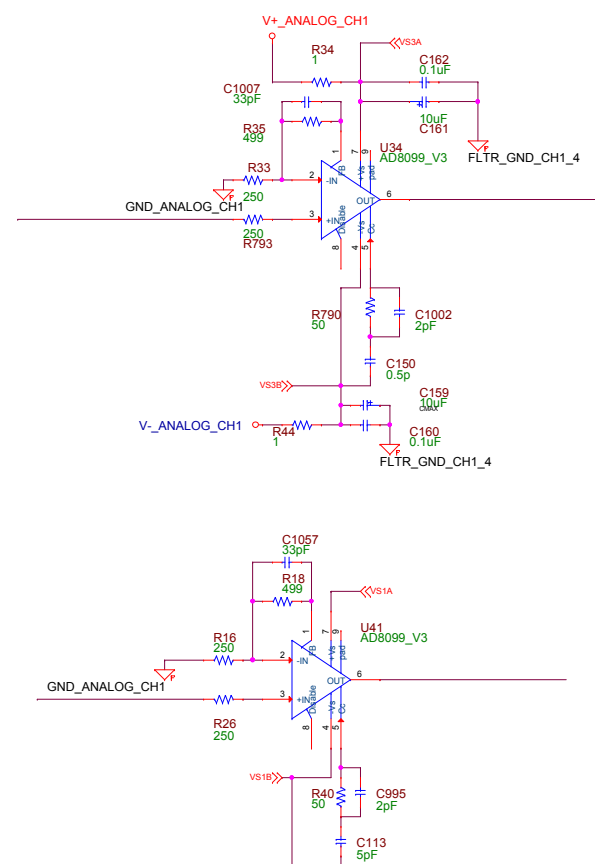
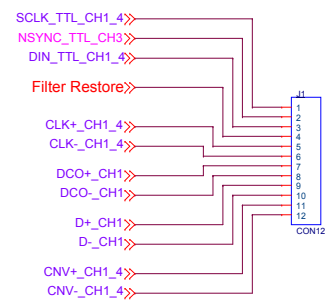


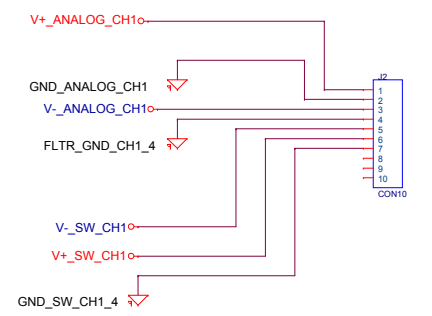
SPARE AMPLIFIER CIRCUITS.



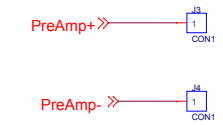
FPGA CONTROL SIGNAL



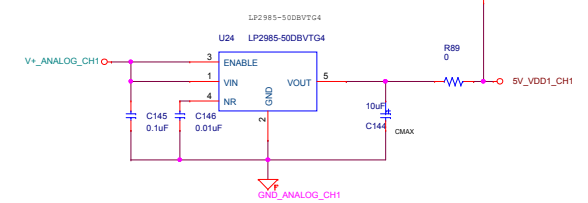
POWER SUPPLY CONNECTOR



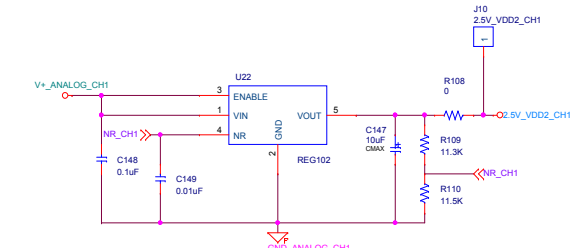
PRE-AMP CONNECTOR



ADC VDD1 VOLTAGE REGULATOR



ADC VDD2 VOLTAGE REGULATOR



File	<Title>	Rev	<Rev>
Size	Document Number	<Doc>	<Rev>
Date	Thursday, July 18, 2013	Sheet	1 of 1