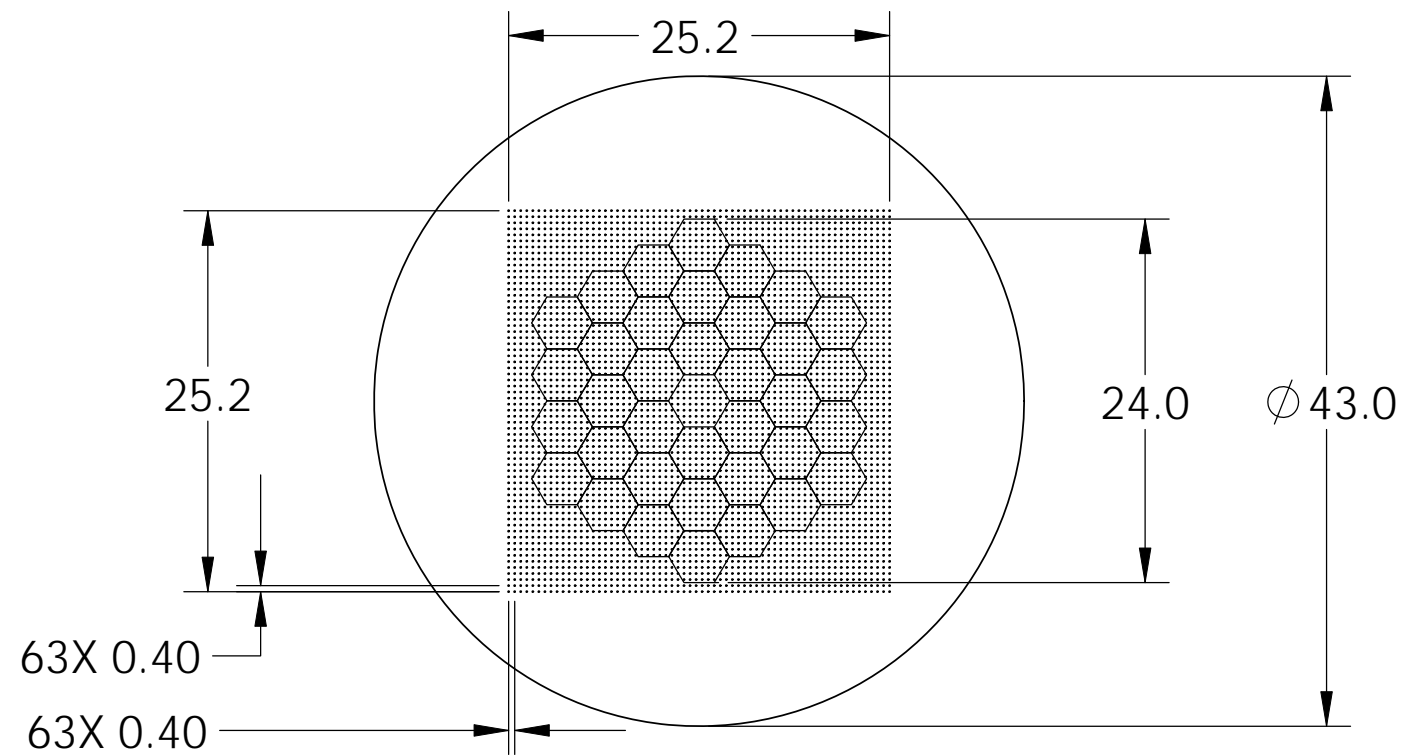
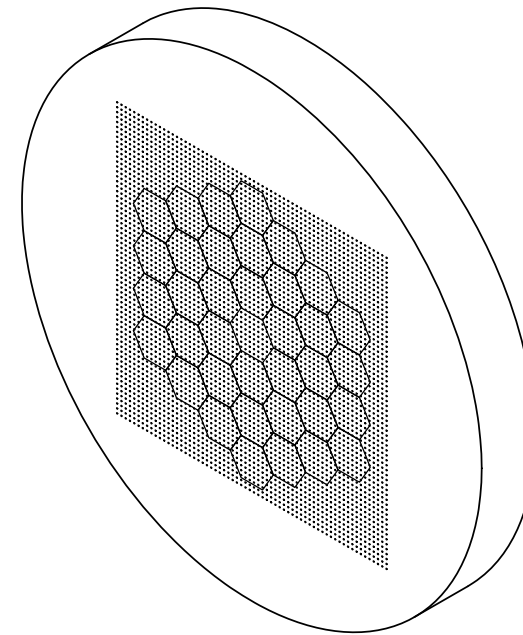
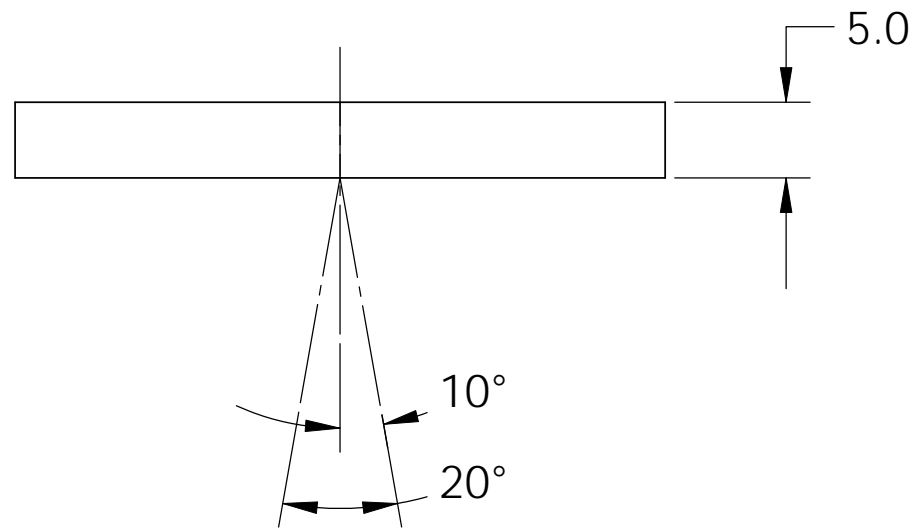
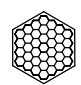
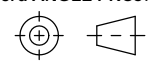
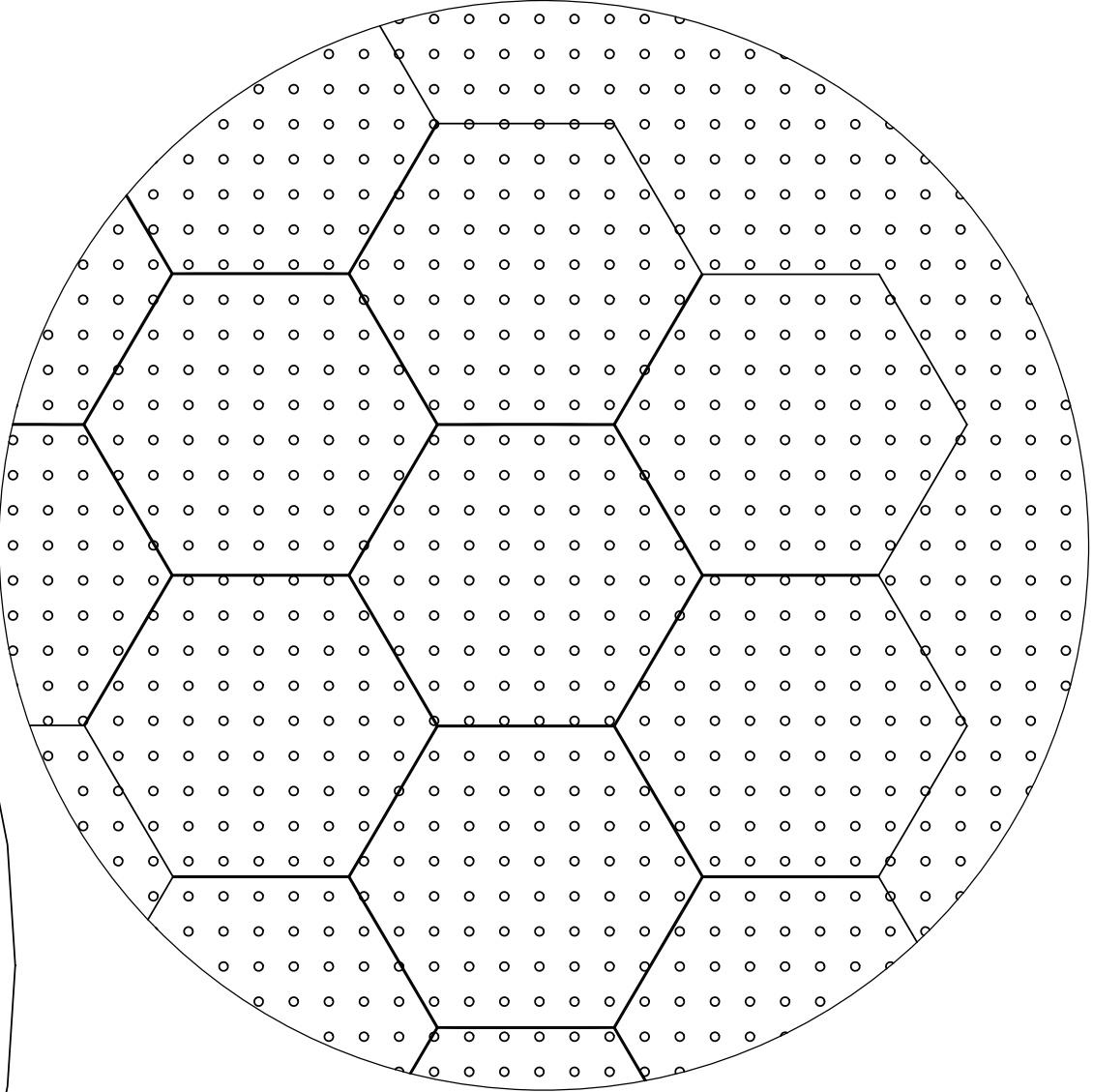
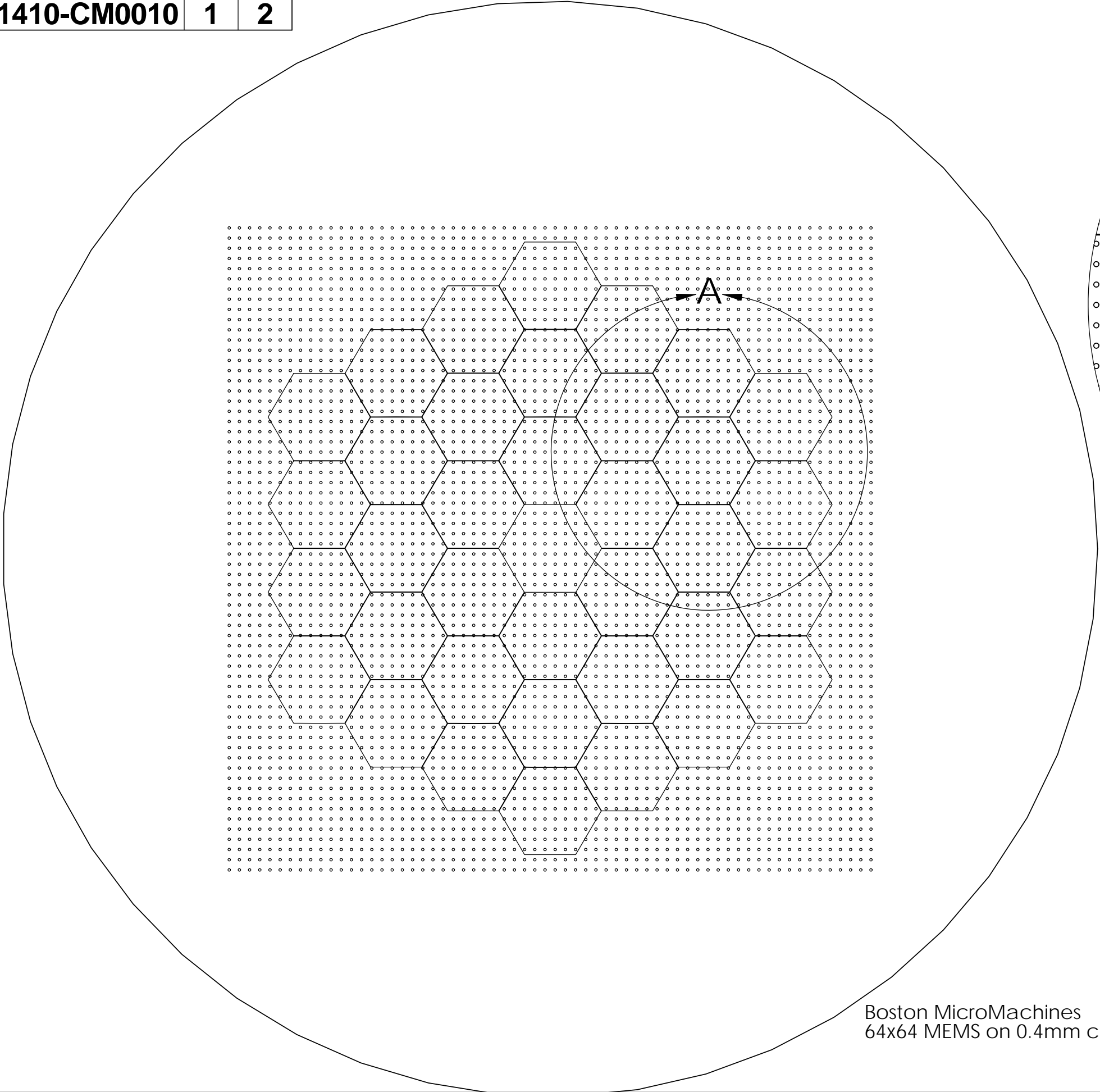


REVISION HISTORY				
REV	DESCRIPTION	DATE	ECN	INITIAL
PR-1	Draft	11/10/09	ECN	JB



Boston MicroMachines
 64x64 MEMS on 0.4mm centers
 Telescope pupil to DM mapping
 (vertical, horizontal)=(182.48, 185.30) mm/subaperture

XXXX-CXXXX	ORIGINATORS	MATERIAL NA	DIMENSIONS IN mm UNLESS OTHERWISE STATED		 W. M. KECK OBSERVATORY <small>CALIFORNIA ASSOCIATION FOR RESEARCH IN ASTRONOMY 65-1120 MAMALAOHA HWY KAMUELA, HI 96743</small>
XXXX-CXXXX	ENGINEERING R. Kupke 11/20/09	FINISH NA	3rd ANGLE PROJ. 		
XXXX-CXXXX	DRAFTING J. Bell 11/20/09	TOLERANCES UNLESS OTHERWISE SPECIFIED DECIMAL	SCALE 2:1	SIZE B	TITLE Primary Mirror Projected on the 64x64 Boston MicroMachines MEMS
XXXX-CXXXX	APPROVALS	.X ± .XX ± .XXX ±	SHEET 1 OF 6		DRAWING NO. 1410-CM0010
NEXT ASSY	ENG APPROVAL P. Wizinowich 11/20/09 DOC APPROVAL D. CTLBOARD 00/00/04	ANGULAR			REV 1

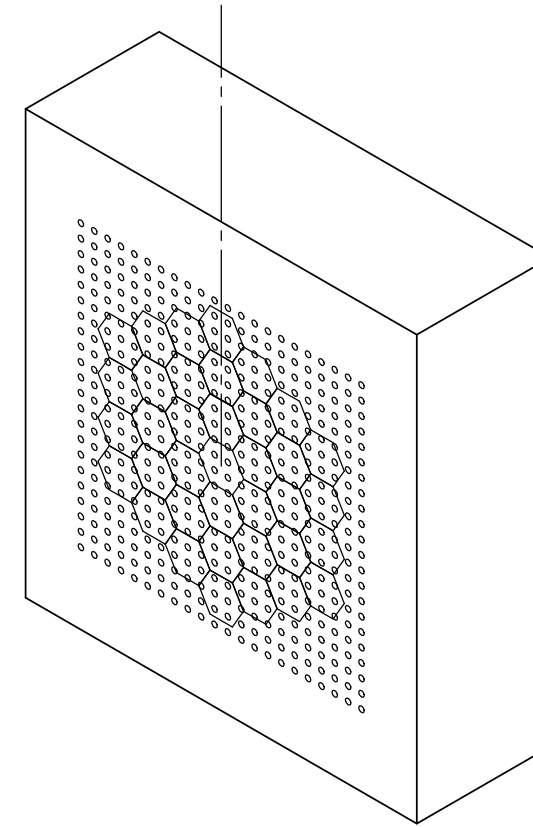
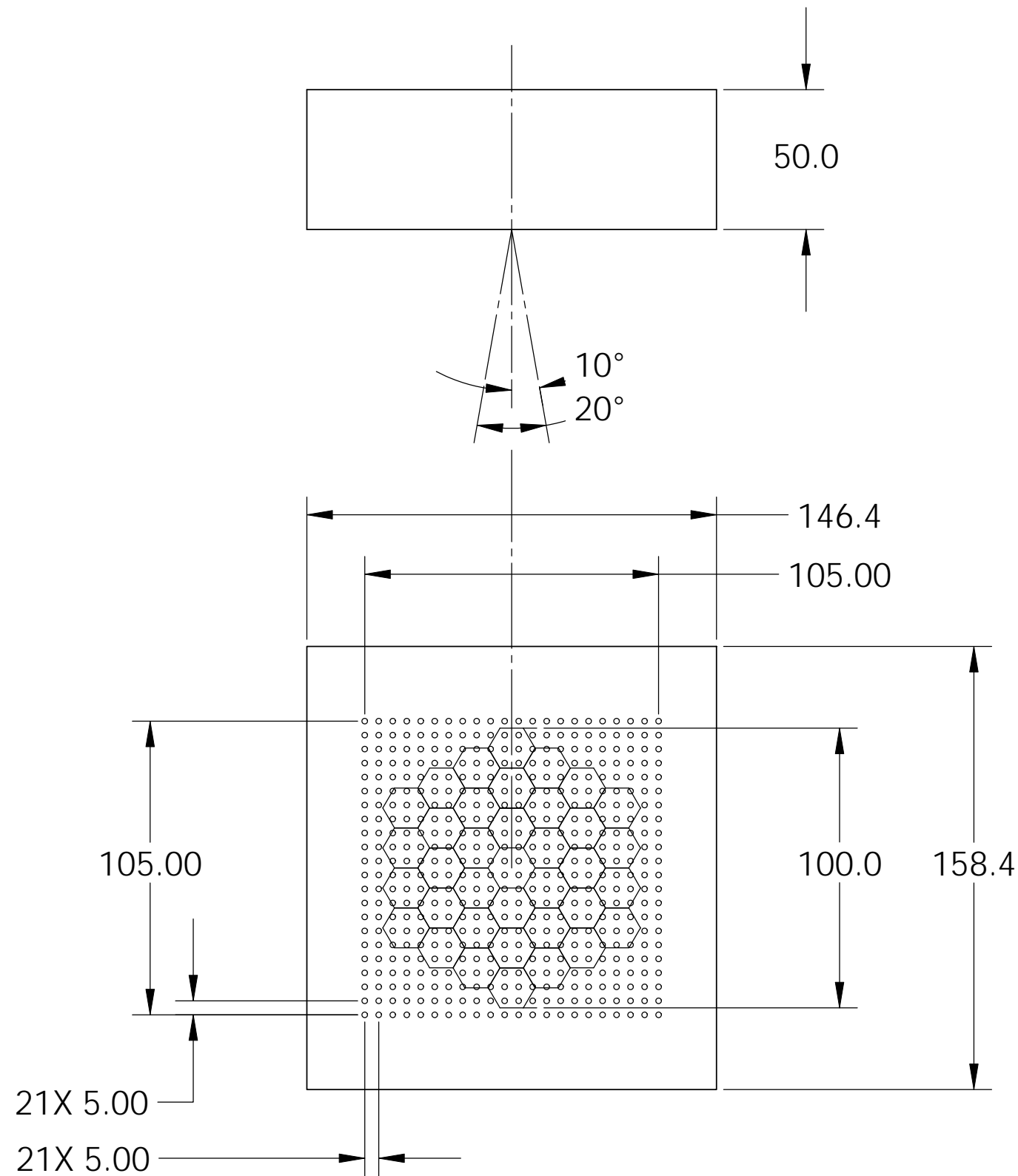


DETAIL A
SCALE 12 : 1

Boston MicroMachines
64x64 MEMS on 0.4mm centers

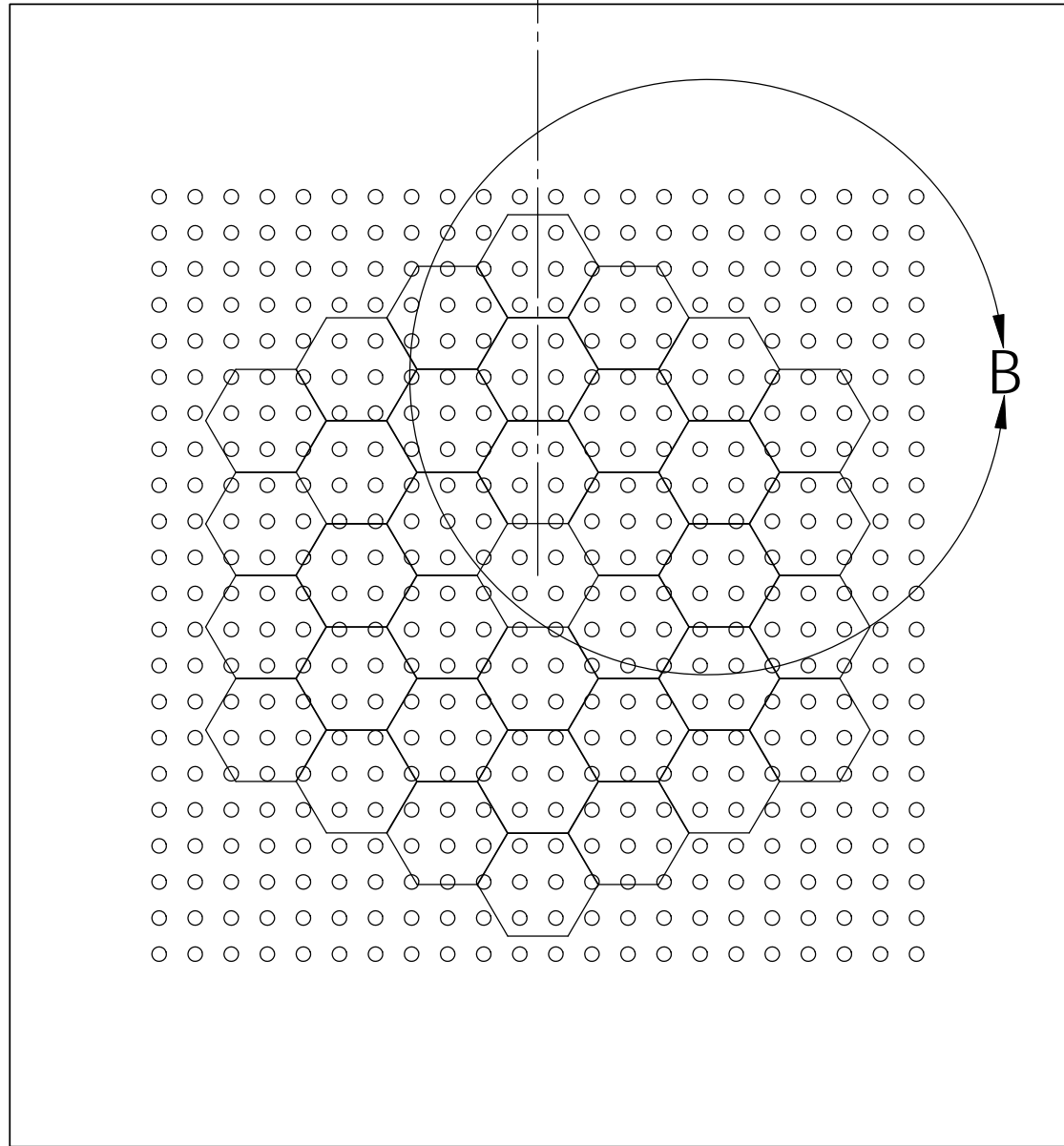
3rd ANGLE PROJ.	
SCALE	SIZE
6:1	B
SHEET 2 OF 6	

TITLE	
Primary Mirror Projected on the 64x64 Boston MicroMachines MEMS	
DRAWING NO.	REV
1410-CM0010	1

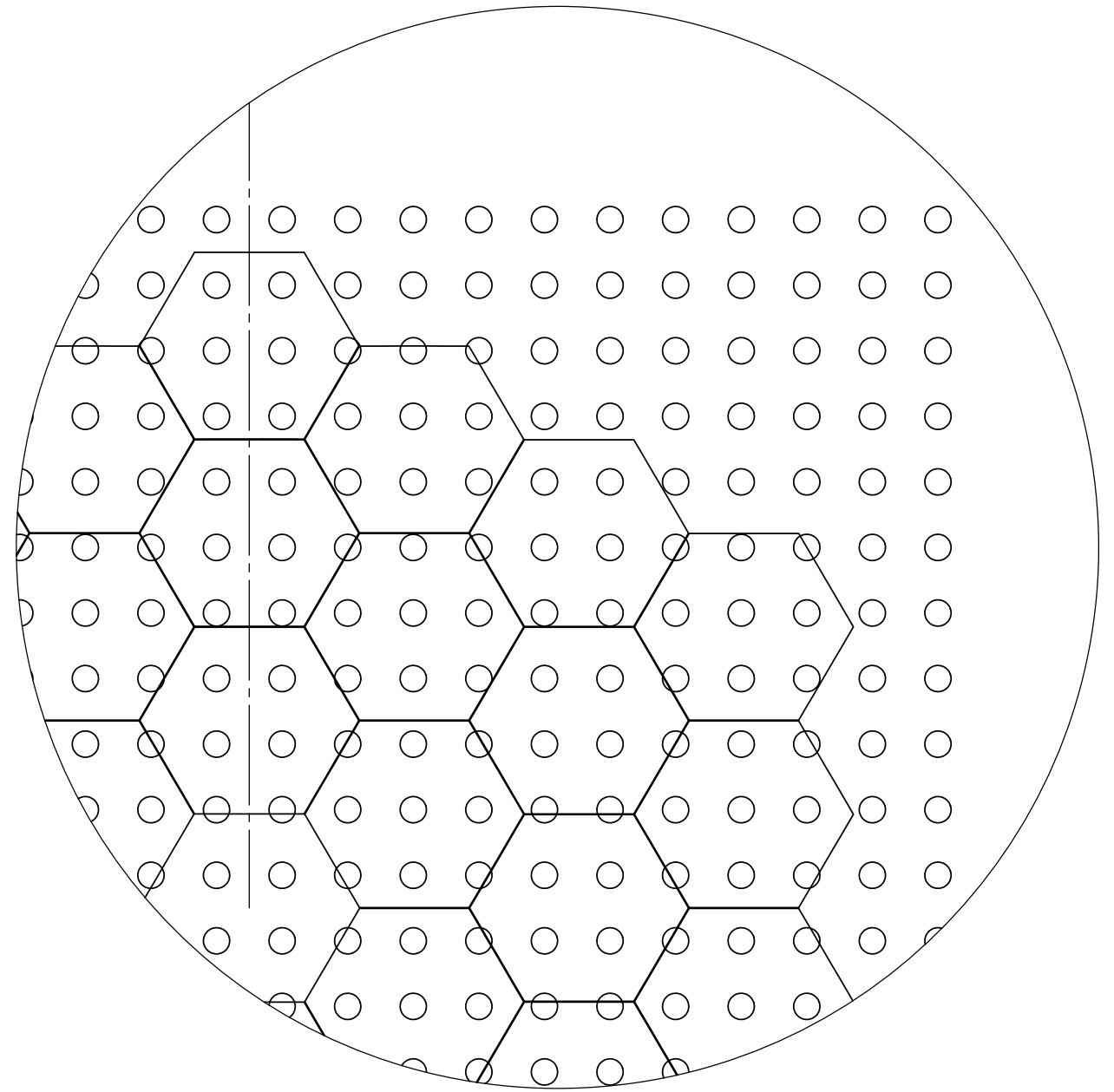


Cilas DM
 22X22 on 5mm centers
 Telescope pupil to DM mapping
 (vertical, horizontal)=(547.45, 555.90) mm/subaperture

3rd ANGLE PROJ.		TITLE Primary Mirror Projected on the CILAS DM	
SCALE	SIZE	DRAWING NO. 1410-CM0010	
1:2	B	REV 1	
SHEET 3 OF 6			

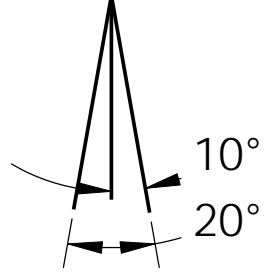
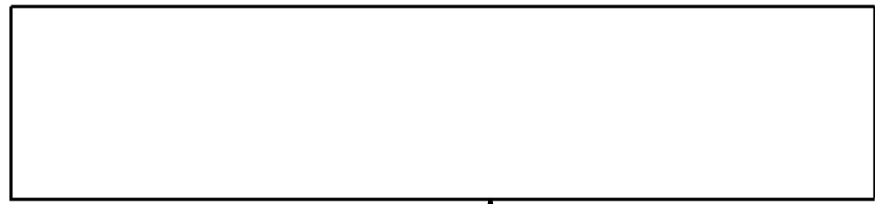


Cilas DM
22X22 on 5mm centers

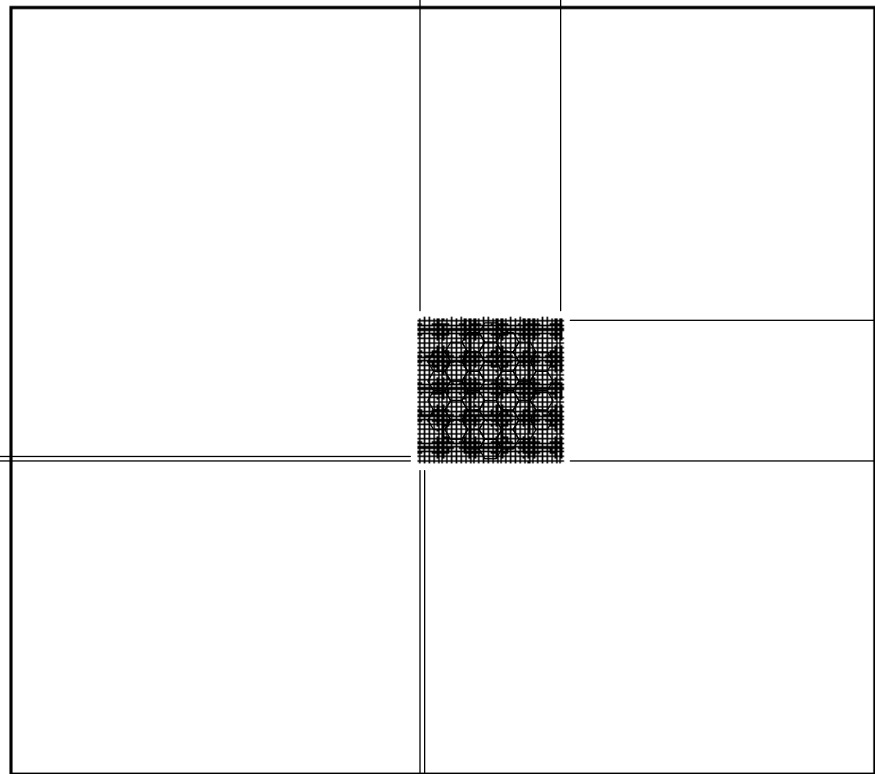


Detail B
SCALE 2:1

3rd ANGLE PROJ.		TITLE Primary Mirror Projected on the CILAS DM	
SCALE	SIZE	DRAWING NO. 1410-CM0010	
1:1	B	REV 1	
SHEET 4 OF 6			



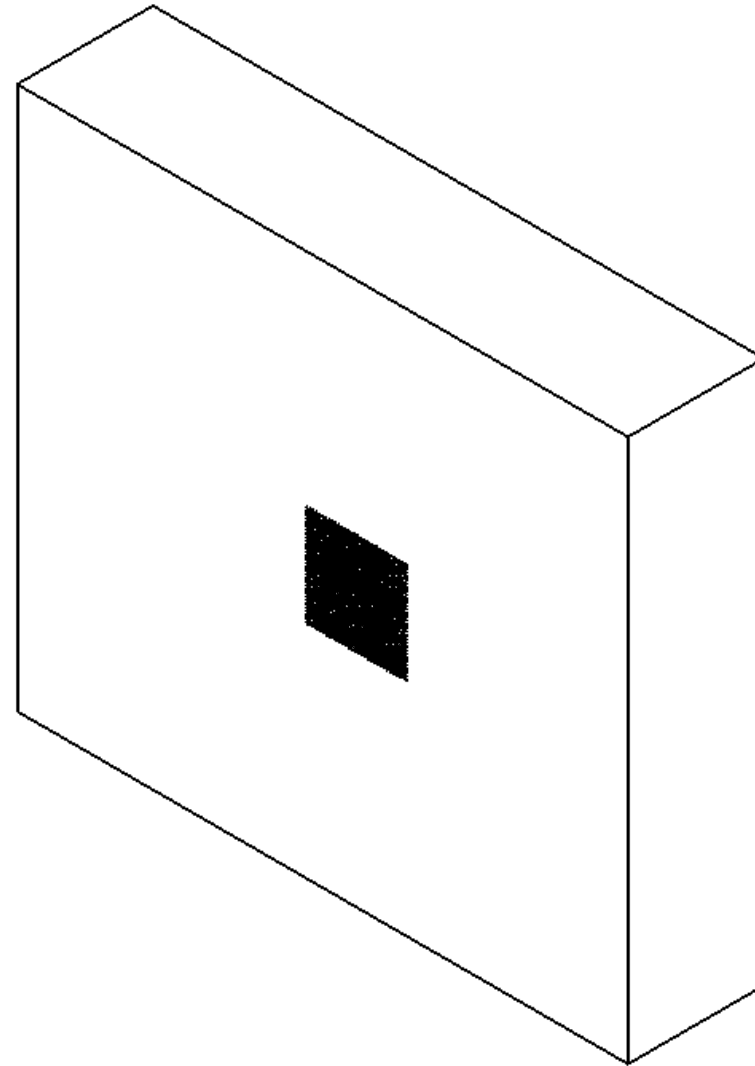
9.3



9.3

31X 0.30

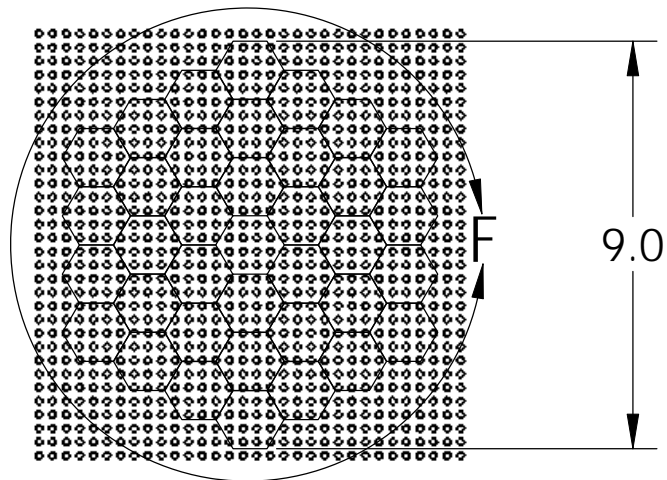
31X 0.30



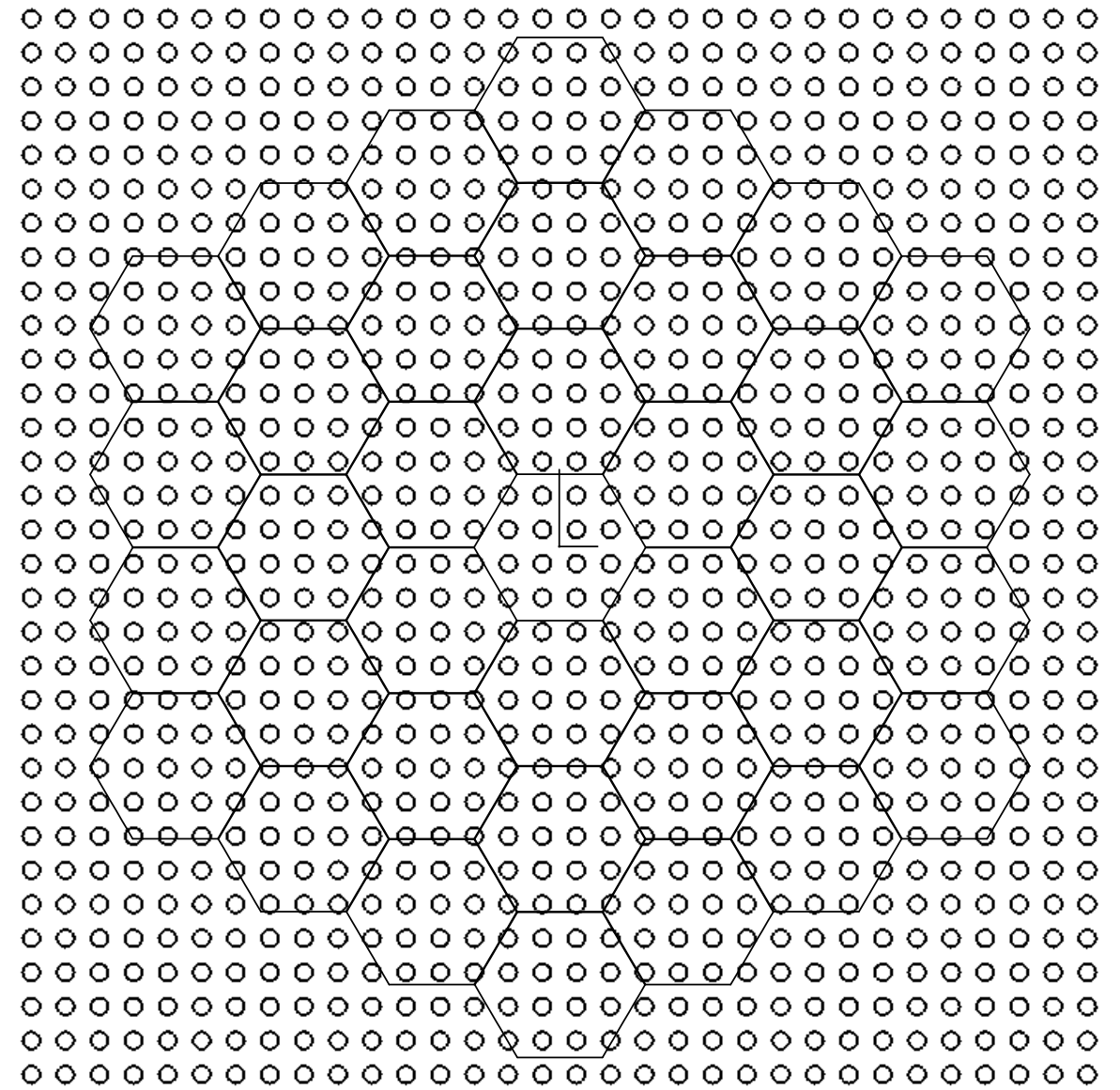
Boston Micromachines
 Kilo-DM 32X32 on 0.3mm centers
 Telescope pupil to DM mapping
 (vertical, horizontal)=(364.97, 370.60) mm/subaperture

3rd ANGLE PROJ.	
SCALE	SIZE
2:1	B
SHEET	5 OF 6

TITLE	Primary Mirror Projected on the 32x32 Boston MicroMachines Kilo DM	
DRAWING NO.	1410-CM0010	REV 1



Boston Micromachines
Kilo-DM 32X32 on 0.3mm centers



DETAIL F
SCALE 16 : 1

3rd ANGLE PROJ.		TITLE	
		Primary Mirror Projected on the 32x32 Boston MicroMachines Kilo DM	
SCALE	SIZE	DRAWING NO.	
6:1	B	1410-CM0010	
SHEET		REV	
6 OF 6		1	